

PRODUCT DETAILS

CABLE RACEWAY

Overview

The CABLE RACEWAY is a cable management system that incorporates multiple channels for separation of power and data.

Built to withstand the demanding requirements of modern offices and locations with heavy traffic; its top loaded design brings an end to awkward cable runs. We recommend that the CABLE RACEWAY should be fixed to the floor for a better quality installation.

The CABLE RACEWAY uses interlocking modular components to help keep cables tidy, protected and free from damage.

Features

- Low profile ramped edging for heavy traffic areas
- Corner and Stop-End elements readily available
- Top loading design eliminates awkward cable installations

Benefits

- Easily secures with overlapping connections
- Add cable channels as and when you need them
- Mitigates health and safety issues
- Flexible modular design offering a one-stop solution

Models

1000, 500, 250 Raceway	CBLRCWY1000/050/025
1000, 500, 250 Extender	CBLRCWY1000/050/025EX
90° Corner	CBLRCWYCOR
Stopend	CBLRCWYEND

Included

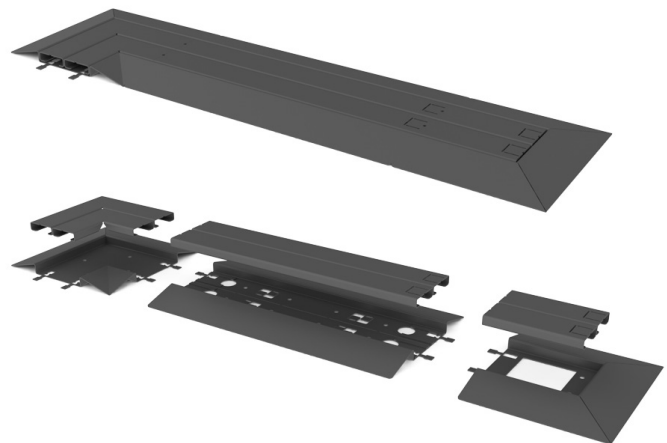
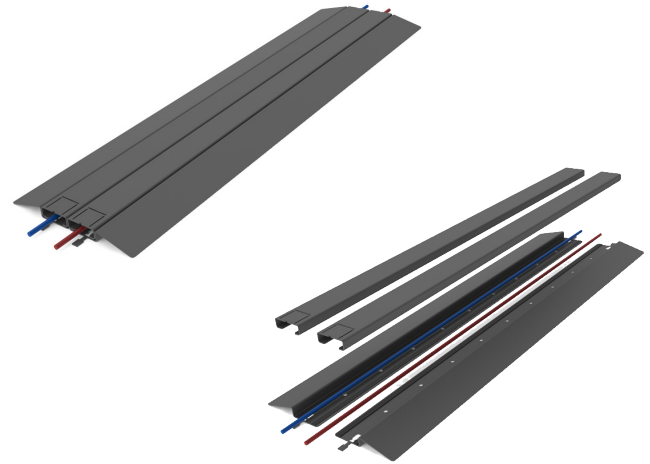
- Choice of standard paint finishes

Additional cost

- Range of non-standard paint finishes

Dimensions

1000 Section		
H: 22mm	W: 239mm	D: 1000mm
500 Section		
H: 22mm	W: 239mm	D: 500mm
250 Section		
H: 22mm	W: 239mm	D: 250mm
1000 Width Extension		
H: 22mm	W: 267mm	D: 1000mm
500 Width Extension		
H: 22mm	W: 267mm	D: 500mm
250 Width Extension		
H: 22mm	W: 267mm	D: 250mm
90° Corner Section		
H: 22mm	W: 267mm	D: 267mm
End Cap		
H: 22mm	W: 267mm	D: 200mm



Standard Paint Finishes



Black

Non-Standard Finishes

We offer a range of non-standard colours and finishes. Many custom colours can be supplied at standard pricing but may incur an additional cost, depending upon your selection.