



PRODUCT DETAILS
SYNERGY ATMOS

SYNERGY ATMOS

- Dynamic and innovative solution for open plan meeting areas.
- Fabric panel provides an aesthetic finish to your meeting space.



SYNERGY ATMOS features a high quality fabric panel behind the screen which creates a more enclosed environment for a better meeting experience, ideal for open plan and breakout areas.

SYNERGY is designed to provide users with a dynamic and interactive solution that is fully AV and IT integrated and meets the high standard expected from technical furniture today.

Features

- High quality fabric shroud (Group 1 fabric)
- Mast and cable well connectivity options
- Secure screen mount (up to 700x400 VESA screens)
- Available with a range of accessories



Collaboration is key
 Creating active learning environments to enhance student collaboration.



Improve your meeting experience
 Fabric panel behind the screen gives focus to the meeting spaces and limits distractions.



Facilitates seamless AV/IT integration
 Complete cable management creates an 'all-in-one' solution.





Reduce costs + save resources

Parachute fully integrated meetings spaces into your learning environments with minimal impact on infrastructure.

A shape for every requirement...

Our table shapes help promote discussion and enhance engagement.

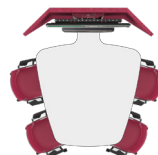
Please note, these are our recommended worktop shapes. We are happy to discuss other requirements.
 MAXIMUM 1240mm(W) screen size



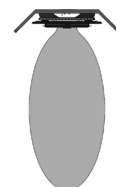
Plectrum Reverse
3 & 5 seat



Teardrop
2 seat



Blade
4, 5 & 6 seat



Bespoke worktop
shapes available

For further information about our solutions and to discuss your individual requirements please contact a member of the TOP-TEC team.

TOP-TEC is a brand of Dalen Limited
 Valepits Road, Garretts Green, Birmingham, B33 0TD
 T: +44 (0)121 783 3838 E: sales@dalen.co.uk
 W: top-tec.co.uk

Models

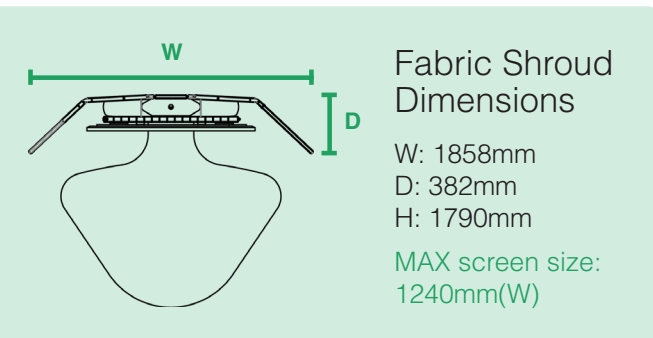
REVERSE PLECTRUM 3-seat	SY4APM03R
REVERSE PLECTRUM 5-seat	SY4APM05R
BLADE 4-seat	SY4ABE04
BLADE 5-seat	SY4ABE05
BLADE 6-seat	SY4ABE06
TEARDROP 2-seat	SY4ATD02

Included

- High quality fabric shroud (Group 1 fabric)
- Choice of standard paint, worktop & edge banding finishes
- PC cage [Secure (318Z) or Non-secure (240Z)]
- 'Shark-nose' worktop edge
- Secure screen mount w/ push button lock (JLITE-01 - 400x400 VESA or JLITE-02 - 700x400 VESA)

Additional cost

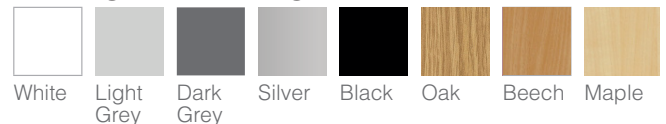
- Upgrade to premium fabric options for shroud (e.g. two-tone / patterns)
- Non-standard paint, worktop & edge banding finishes
- Colour match your fabric shroud to the metalwork
- Worktop or mast connectivity
- Fabric matched seating options
- Under desk rack unit (8U / 10U / 12U)
- Worktop power modules
- Camera / sound bar bracket
- Bespoke worktop options available
- Extended neck
- Desktop machining



Standard Paint Finishes



Standard Worktop & Edge Banding Finishes



Make it your own!

We offer a range of non-standard colours and finishes. Many custom colours can be supplied at standard pricing but may incur an additional cost.